

Implication of Type

AS1	GQ	-	□□	□	□	/	□	/	□
Code of Series	GQ means metal crust type	Contact structure: 11 1NO1NC 22 2NO2NC 33 3NO3NC	OperationType: Z alternate type Y key switch The momentary type is without letter	Type: D Dot Illuminated R Ring Illuminated No letter means without lamp.	The specific rating of the lamp with Illuminated button is included in the lamp ratings form	Lamp color: R Red G Green Y Yellow O Orange B Blue W White			

⊙ The Crust color can be made to order.

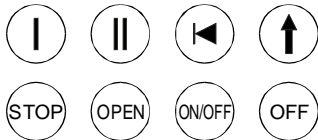
Lamp Ratings

Lamp Type	LED		
Rated Voltage	AC/DC6V	AC/DC12V	AC/DC24V
	AC/DC110V		AC/DC220V
Colours	R	G	Y O B W
Life	About 40,000 hours		

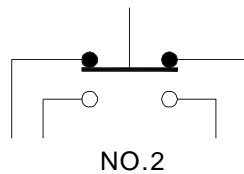
Note: There are protective resistor in the lamp, special voltage rate can be made to order.

Engraving Options

- ⊙ Special type can be made to order.
- ⊙ Examples



Switching Operation



Visual Effect



Purchasing Notice

- ⊙ Please write SUNSHINE code after check the Implication of Type and the detailed specification in the catalog.
- ⊙ Please place an order over 1,000pcs if the products need to be made to order.
- ⊙ All IP Degree listed in our forms can seal front of panel only.

Other

- ⊙ The products can add Wire and Connector; also it can be made to order.

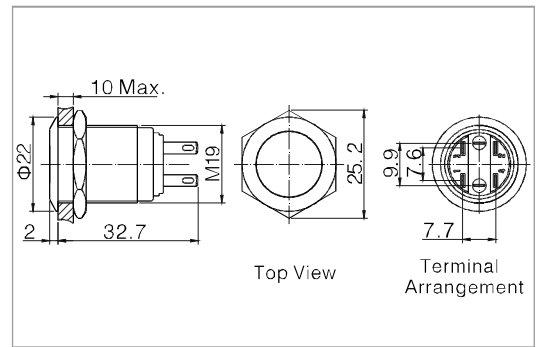


AS1GQ Illuminated Push Button Switches

PUSHBUTTONS



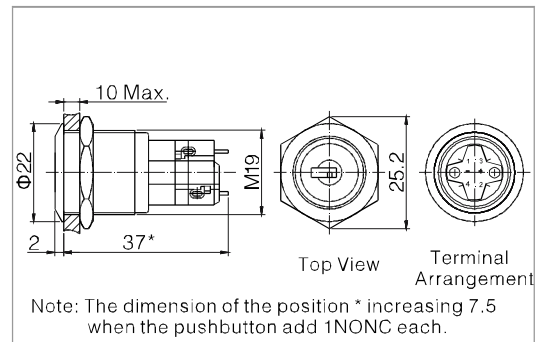
- ⊙ 19mm diameter
- ⊙ 5A, 250VAC
- ⊙ 1NO1NC
- ⊙ The Front Shape: Flat Round
- ⊙ The crust material: Stainless Steel
- ⊙ IP Degree: IP65



KEY SWITCHES



- ⊙ 19mm diameter
- ⊙ 5A, 250VAC
- ⊙ 1NO1NC/2NO2NC/3NO3NC/4NO4NC
- ⊙ Two position remain
- ⊙ The crust material: Stainless Steel
- ⊙ IP Degree: IP40



Specification	AS1GQ-11	AS1GQ-□□Y
The Front Shape	Flat Round	Round
Terminations	Soldering (Pin Terminal)/2.8mm tabs	Soldering (Pin Terminal)
Switching	NO.2	NO.2
Max. Switch Rating	5A/250VAC	5A/250VAC
Contact Resistance	$\leq 50\text{m}\Omega$	$\leq 50\text{m}\Omega$
Insulation Resistance	$\geq 1000\text{m}\Omega$	$\geq 1000\text{m}\Omega$
Dielectric Strength	2000VAC	2000VAC
Operating Temp.	- 20°C ~ + 70°C	- 20°C ~ + 70°C
Mechanical life	1,000,000 cycles	1,000,000 cycles
Electrical life	50,000 cycles	50,000 cycles
Contact material	Silver Alloy	Silver Alloy
Panel Thickness	1~ 10mm	1~ 10mm
Torque	5~ 14Nm	5~ 14Nm
Operation Pressure	5.5N	5.5N
IP Degree	IP65	IP40
Material	Button	Stainless Steel
	Body	Stainless Steel
	Base	PBT
RoHS	Made to order	Made to order

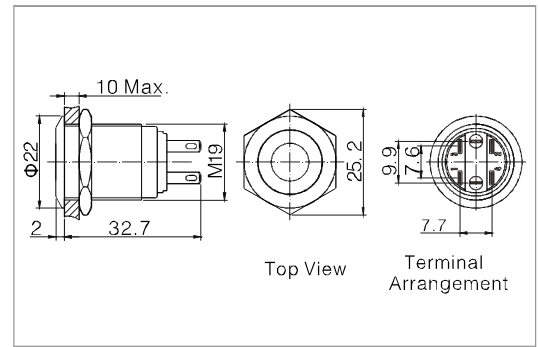


AS1GQ Illuminated Push Button Switches

DOT ILLUMINATED PUSHBUTTON



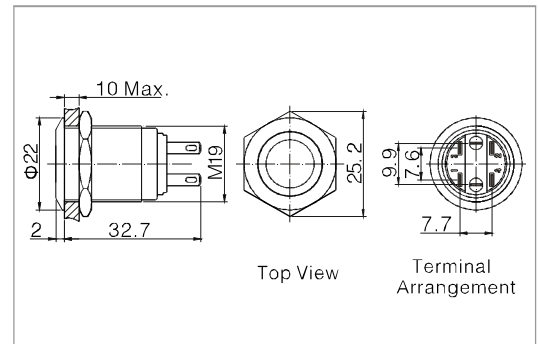
- ⊙ 19mm diameter
- ⊙ 5A, 250VAC
- ⊙ 1NO1NC
- ⊙ The crust material: Stainless Steel
- ⊙ Dot Illuminated
- ⊙ IP Degree: IP65



RING ILLUMINATED PUSHBUTTON



- ⊙ 19mm diameter
- ⊙ 5A, 250VAC
- ⊙ 1NO1NC
- ⊙ The crust material: Stainless Steel
- ⊙ Ring Illuminated
- ⊙ IP Degree: IP65



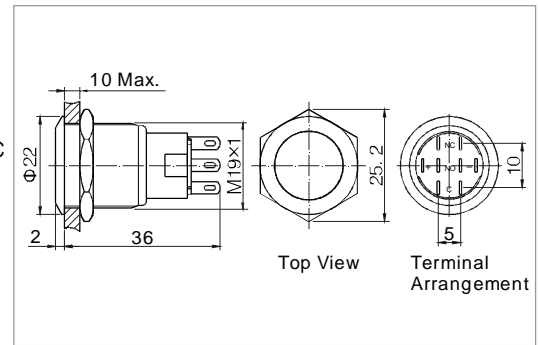
Specification		AS1GQ-11□D	AS1GQ-11□R
The Front Shape		Flat Round	Flat Round
Terminations		Soldering (Pin Terminal)/2.8mm tabs	Soldering (Pin Terminal)/2.8mm tabs
Switching		NO.2	NO.2
Max. Switch Rating		5A/250VAC	5A/250VAC
Contact Resistance		≤50mΩ	≤50mΩ
Insulation Resistance		≥1000mΩ	≥1000mΩ
Dielectric Strength		2000VAC	2000VAC
Operating Temp.		- 20°C ~ + 70°C	- 20°C ~ + 70°C
Mechanical life		1,000,000 cycles	1,000,000 cycles
Electrical life		50,000 cycles	50,000 cycles
Contact material		Silver Alloy	Silver Alloy
Panel Thickness		1~ 10mm	1~ 10mm
Torque		5~ 14Nm	5~ 14Nm
Operation Pressure		5.5N	5.5N
IP Degree		IP65	IP65
Material	Button	Stainless Steel	Stainless Steel
	Body	Stainless Steel	Stainless Steel
	Base	PBT	PBT
RoHS		Made to order	Made to order
LED Spec.	Type	Dot Illuminated (LED)	Ring Illuminated (LED)
	Rated Voltage	6V / 12V / 24V / 110V / 220V	6V / 12V / 24V / 110V / 220V
	Color	R G Y O B W	R G Y O B W
	Life	40,000 hours	40,000 hours

AS1AGQ Illuminated Push Button Switches

METAL PUSH BUTTON



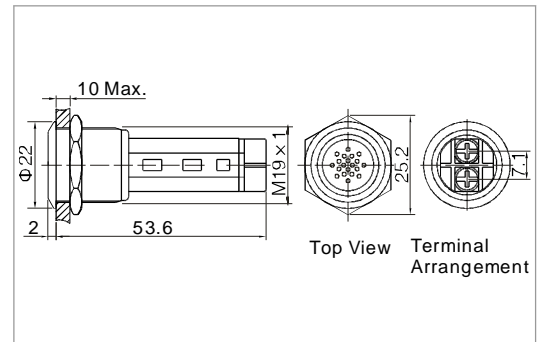
- ⊙ 19mm diameter
- ⊙ Switch Rating:5A/250VAC
- ⊙ Contact Configuration:1NO1NC / 2NO2NC
- ⊙ Operation Type: Momentary / Alternate
- ⊙ The crust material: Stainless Steel
- ⊙ IP Degree:IP67



METAL BUZZER



- ⊙ 19mm diameter
- ⊙ Rated Voltage:DC12V / DC24V
AC110V / AC220V
- ⊙ Buzzer / Flicker Buzzer
- ⊙ Sound Intensity:- 80dB(1m)
- ⊙ The crust material: Stainless Steel
- ⊙ IP Degree:IP50



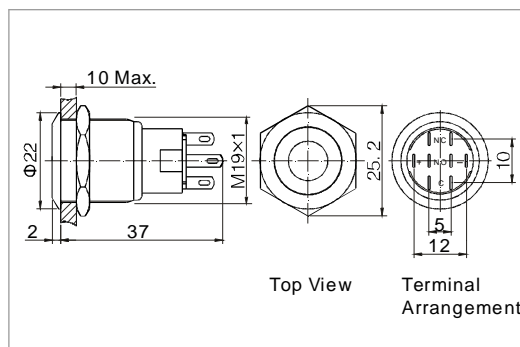
Specification	AS1AGQ-□□	AS1AGQ-□/□	
The Front Shape	Flat Round	Flat Round Honeycomb	
Terminal Type	Pin Terminal(2.8x 0.5mm)	Screw Terminal	
Switching	No.3	..	
Max.Switch Rating	Ith:5A Ui:250VAC	..	
Contact Resistance	≤50mΩ	..	
Insulation Resistance	≥1000mΩ	..	
Dielectric Strength	2000VAC	2000VAC	
Operating Temp	- 20°C~ +55°C	- 20°C~ +55°C	
Mechanical life	1,000,000 cycles	..	
Electrical life	50,000 cycles	..	
Panel Thickness	1~ 10mm	1~ 10mm	
Torque	5~ 14Nm	5~ 14Nm	
Operation Pressure	3~ 5N	..	
Operation Distance	About 3.1mm	..	
IP Degree	IP67	IP50	
Material	Contact	Silver Alloy	..
	Button	Stainless Steel	Stainless Steel
	Body	Stainless Steel	Stainless Steel
	Base	PBT	PA
	RoHS	Made to order	Made to order
Buzzer Spec.	Type	..	Buzzer/Flicker Buzzer
	Rated Voltage	..	DC12V/DC24V/AC110V/AC220V
	Colour	..	R G
	Sound Intensity	..	- 80dB& 1m'

AS1AGQ Illuminated Push Button Switches

METAL DOT ILLUMINATED PUSH BUTTON



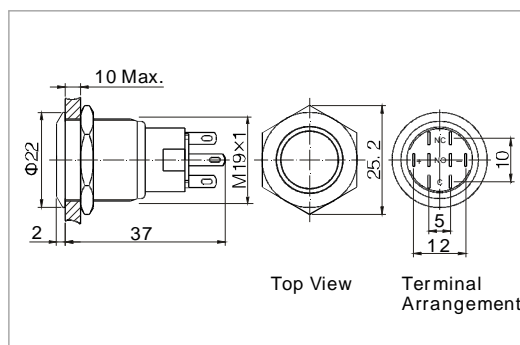
- ⊙ 19mm diameter
- ⊙ Switch Rating: 5A/250VAC
- ⊙ Contact Configuration: 1NO1NC / 2NO2NC
- ⊙ Operation Type: Momentary / Alternate
- ⊙ The crust material: Stainless Steel
- ⊙ Dot Illuminated
- ⊙ IP Degree: IP67



METAL RING ILLUMINATED PUSH BUTTON



- ⊙ 19mm diameter
- ⊙ Switch Rating: 5A/250VAC
- ⊙ Contact Configuration: 1NO1NC / 2NO2NC
- ⊙ Operation Type: Momentary / Alternate
- ⊙ The crust material: Stainless Steel
- ⊙ Ring Illuminated
- ⊙ IP Degree: IP67



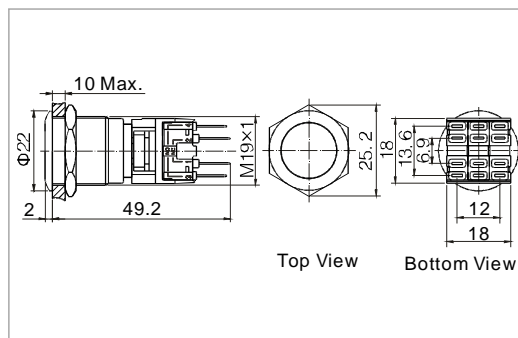
Specification		AS1AGQ-□□D/□/□	AS1AGQ-□□E/□/□
The Front Shape		Flat Round	Flat Round
Terminal Type		Pin Terminal(2.8x 0.5mm)	Pin Terminal(2.8x 0.5mm)
Switching		No.3	No.3
Max. Switch Rating		Ith:5A Ui:250VAC	Ith:5A Ui:250VAC
Contact Resistance		≤50mΩ	≤50mΩ
Insulation Resistance		≥1000mΩ	≥1000mΩ
Dielectric Strength		2000VAC	2000VAC
Operating Temp		- 20°C ~ +55°C	- 20°C ~ +55°C
Mechanical life		1,000,000 cycles	1,000,000 cycles
Electrical life		50,000 cycles	50,000 cycles
Panel Thickness		1~ 10mm	1~ 10mm
Torque		5~ 14Nm	5~ 14Nm
Operation Pressure		3~ 5N	3~ 5N
Operation Distance		About 3.1mm	About 3.1mm
IP Degree		IP67	IP67
Material	Contact	Silver Alloy	Silver Alloy
	Button	Stainless Steel	Stainless Steel
	Body	Stainless Steel	Stainless Steel
	Base	PBT	PBT
	RoHS	Made to order	Made to order
LED Spec.	Type	Dot Illuminated (LED)	Ring Illuminated (LED)
	Rated Voltage	6V / 12V / 24V / 110V / 220V	6V / 12V / 24V / 110V / 220V
	Color	R G Y O B W	R G Y O B W
	Life	40000 hours	40000 hours

AS1BGQ Illuminated Push Button Switches

METAL PUSH BUTTON



- ⊙ 19mm diameter
- ⊙ Combined Structure
- ⊙ Switch Rating:5A/250VAC
- ⊙ Contact Configuration: 1NO1NC / 2NO2NC / 3NO3NC
- ⊙ Operation Type: Momentary / Alternate
- ⊙ The crust material: Stainless Steel
- ⊙ IP Degree:IP67



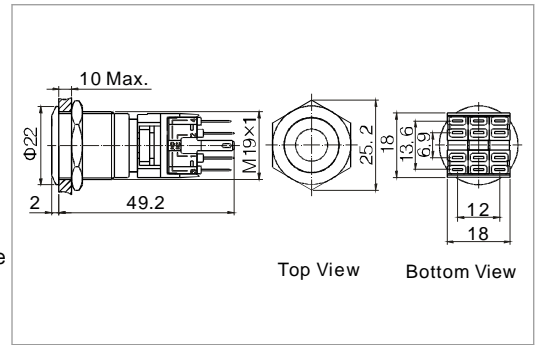
Specification	AS1BGQ-□□□		
The Front Shape	Flat Round		
Terminal Type	Pin Terminal(2.8x 0.5mm)		
Switching	No.2		
Max.Switch Rating	Ith:5A Ui:250VAC		
Contact Resistance	≤ 50mΩ		
Insulation Resistance	≥ 1000mΩ		
Dielectric Strength	2000VAC		
Operating Temp	- 20°C ~ +55°C		
Mechanical life	1,000,000 cycles		
Electrical life	50,000 cycles		
Panel Thickness	1~ 6mm		
Torque	5~ 14Nm		
Operation Pressure	5.5~8N		
Operation Distance	About 3.1mm		
IP Degree	IP67		
Material	Contact	Silver Alloy	
	Button	Stainless Steel	
	Body	Stainless Steel	
	Base	PA	
	RoHS	Made to order	

AS1BGQ Illuminated Push Button Switches

METAL DOT ILLUMINATED PUSH BUTTON



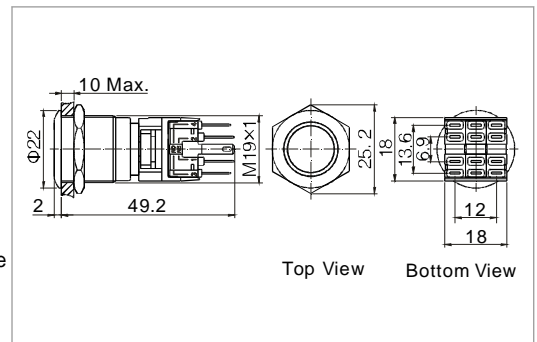
- ⊙ 19mm diameter
- ⊙ Combined Structure
- ⊙ Switch Rating: 5A/250VAC
- ⊙ Contact Configuration: 1NO1NC / 2NO2NC / 3NO3NC
- ⊙ Operation Type: Momentary / Alternate
- ⊙ The crust material: Stainless Steel
- ⊙ IP Degree: IP67



METAL RING ILLUMINATED PUSH BUTTON



- ⊙ 19mm diameter
- ⊙ Combined Structure
- ⊙ Switch Rating: 5A/250VAC
- ⊙ Contact Configuration: 1NO1NC / 2NO2NC / 3NO3NC
- ⊙ Operation Type: Momentary / Alternate
- ⊙ The crust material: Stainless Steel
- ⊙ IP Degree: IP67



Specification		AS1- BGQ-□□D/□/□	AS1- BGQ-□□E/□/□
The Front Shape		Flat Round	Flat Round
Terminal Type		Pin Terminal(2.8x 0.5mm)	Pin Terminal(2.8x 0.5mm)
Switching		No.2	No.2
Max. Switch Rating		Ith:5A Ui:250VAC	Ith:5A Ui:250VAC
Contact Resistance		≤ 50mΩ	≤ 50mΩ
Insulation Resistance		≥ 1000mΩ	≥ 1000mΩ
Dielectric Strength		2000VAC	2000VAC
Operating Temp		- 20°C~ +55°C	- 20°C~ +55°C
Mechanical life		1,000,000 cycles	1,000,000 cycles
Electrical life		50,000 cycles	50,000 cycles
Panel Thickness		1~ 10mm	1~ 10mm
Torque		5~ 14Nm	5~ 14Nm
Operation Pressure		5.5~8N	5.5~8N
Operation Distance		About 3.1mm	About 3.1mm
IP Degree		IP67	IP67
Material	Contact	Silver Alloy	Silver Alloy
	Button	Stainless Steel	Stainless Steel
	Body	Stainless Steel	Stainless Steel
	Base	PA	PA
	RoHS	Made to order	Made to order
LED Spec.	Type	Dot Illuminated (LED)	Ring Illuminated (LED)
	Rated Voltage	6V / 12V / 24V / 110V / 220V	6V / 12V / 24V / 110V / 220V
	Color	R G Y O B W	R G Y O B W
	Life	40000 hours	40000 hours